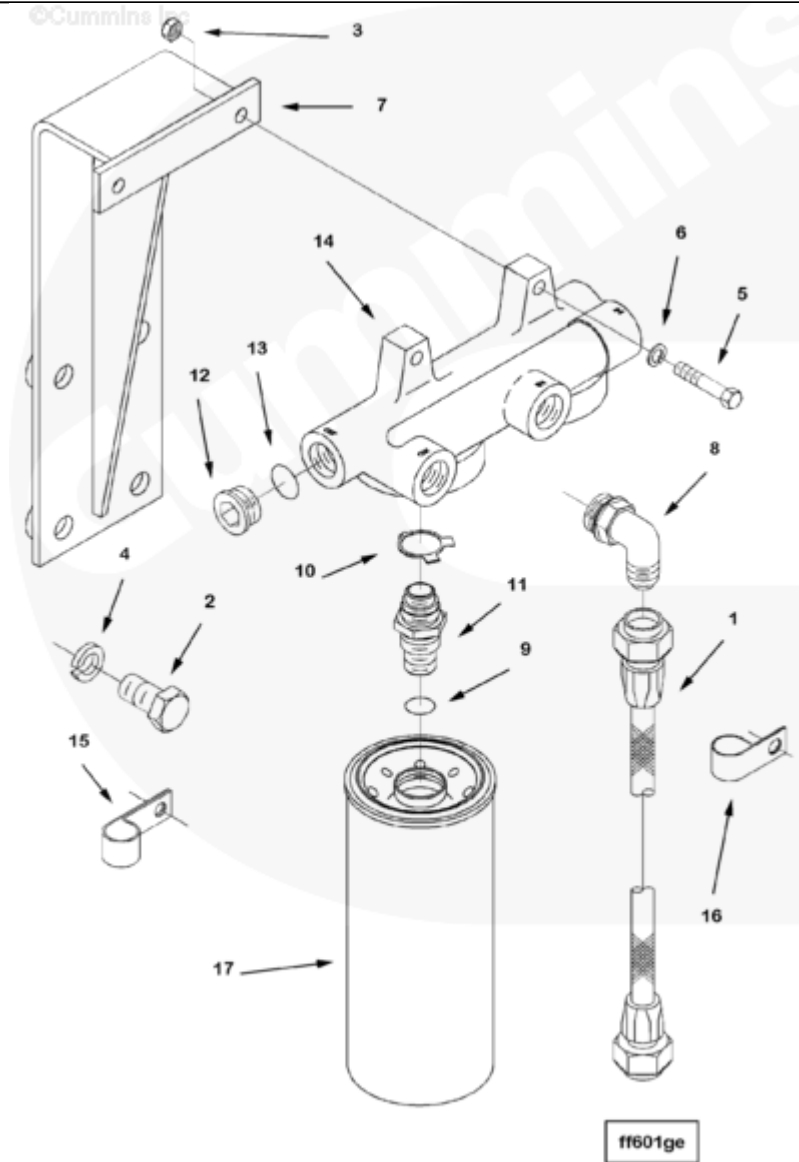




Parts Catalog - Option Detail

Electronic Parts Catalog - Option Detail				
Option	Group	Graphic	Film Card	Date
FF6032-02	06.04	ff601ge	K38	16-JAN-99
Engines	GTA38, K38, KTA38GC CM558, QSK38 CM2150 K106, QSK38 CM2150 MCRS, QSK38 CM850 MCRS			



[SMALL](#) | [MEDIUM](#) | [LARGE](#)

Cart	Ref No	Part Number	Part Description	Required	Remarks
<input type="button" value="View My Cart"/>					
		FF6032-02	Fuel Filter		Dual element fuel filter with...(More)

					replaceable spin-on
					cartridges mounted on the
					flywheel housing pad, left
					bank (port) side of the
					engine.
					Includes Aeroquip marine
					FC234 fuel filter hose.
					For use with KT(A)-2300-m.
<input type="checkbox"/>	1	AM12072 SS	Flexible Hose	1	
<input type="checkbox"/>	2	S 112 C	Hexagon Head Cap Screw	4	3/4 - 10 x 2 1/4 in.
<input type="checkbox"/>	3	S 217	Heavy Hexagon Nut	2	7/16 - 14 UNC.
<input type="checkbox"/>	4	S 611	Lock Washer	4	3/4 in.
<input type="checkbox"/>	5	102020	Hexagon Head Cap Screw	2	7/16 - 14 X 2 1/4 in.
<input type="checkbox"/>	6	135783	Lock Washer	2	7/16 in.
<input type="checkbox"/>	7	3014281	Filter Bracket	1	
<input type="checkbox"/>	8	3032628	Male Union Elbow	2	
<input type="checkbox"/>		3032630	Fuel Filter Head	1	
<input type="checkbox"/>	9	145507	O-Ring Seal	2	
<input type="checkbox"/>	10	3004272	Lock Plate	2	
<input type="checkbox"/>	11	3010635	Filter Head Adapter	2	
<input type="checkbox"/>		3201583	Threaded Plug	2	1 5/16 - 12 UNF.
	12	3040911	Threaded Plug	1	
<input type="checkbox"/>	13	3201585	O-Ring Seal	1	
<input type="checkbox"/>	14	3630741	Fuel Filter Head	1	
<input type="checkbox"/>	15	3178499	Clip	2	
<input type="checkbox"/>	16	3179050	Clip	2	
<input type="checkbox"/>	17	3313306	Fuel Filter Element	2	Buy from Cummins Filtration